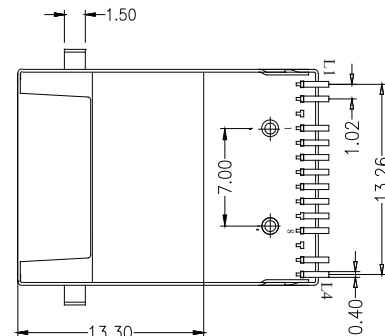
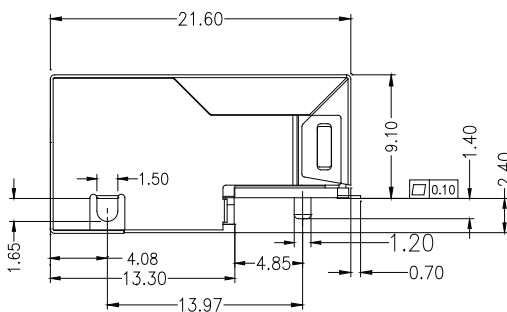
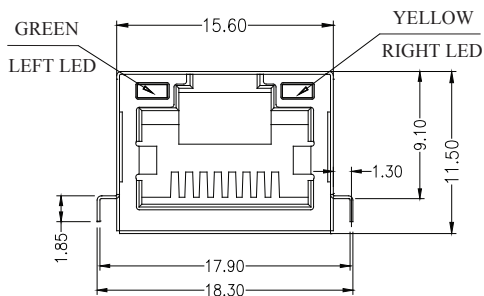


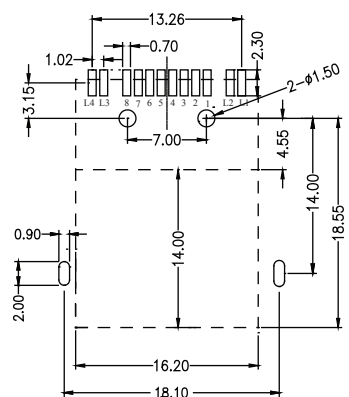
Coorle 库乐科技



Feature:

- Compliant with IEEE802.3u standard including 350uH OCL with 8mA DC Bias
- Integrated Mag-modular design provides higher reliability and conserves minimizing PCB space
- Housing: Thermoplastic LCP UL94V0 rated
- Contact :Phosphor Bronze(C5191),Gold plated on contact area 6u"
- Input Terminal : Brass(C2680)
- Metal shielding:Copper alloy with Nickel plated(C2680),
- Different color of LEDs option available
- Operating temperature:0°C to +75°C
- Resistance to soldering heat:255°C for 5seconds, and only for reflow soldering process.

Lead-free process,compliant RoHS



SUGGESTED PCB LAYOUT (TOP VIEW)
DIMENSIONAL TOLERANCE: .XX ±0.05[0.001]

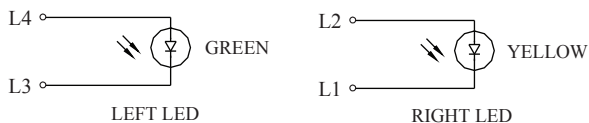
Electrical Specifications: (25°C)

| Insertion Loss dB Max | Return Loss dB Min | | | Common Mode Rejection dB TYP | | Crosstalk dB TYP | Hi-Pot (vrms) |
|-----------------------|--------------------|----------|-----------|------------------------------|--------|------------------|---------------|
| | 1~30MHz | 60~80MHz | 80~100MHz | 1~100MHz | 150MHz | | |
| -1.0 | -18.0 | -12.0 | -10.0 | -30.0 | -20.0 | -30.0 | 1200/1mA |

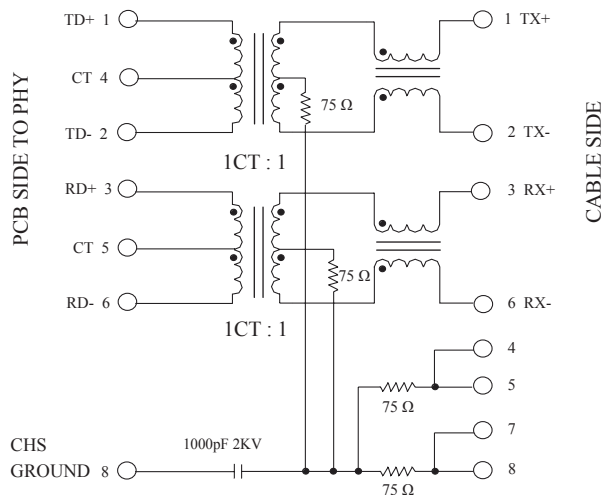
LED Specifications:

| Standard LED Color | LED Wavelength | Forward (V Max) | Typical (V TYP) |
|--------------------|----------------|-----------------|-----------------|
| Green | 560-580 nm | 2.5 | 2.1~2.2 |
| Yellow | 580-610 nm | 2.5 | 2.1~2.2 |

- LED intensity/wavelength measured with Photo research PR-650 colormeter
- With a forward Current of 20mA,absolute maximum ratings (Ta=25°)



SCHEMATIC



| Prepared BY : YQSun | Unspecified tolerance (Unit : mm) | Title | RJ45 Connector |
|------------------------|-----------------------------------|-----------------|--------------------|
| Approved BY : X.J.Fang | .x +/- 0.38 | Manufacture P/N | RMT-576D-12F0-GY-D |
| | .xx +/- 0.25 | Sheet 1 of 1 | Rev. A0 |
| | .xxx +/- 0.13 | | |

回流焊推荐温度曲线

Limiting Values:

The below temperature profile for moisture sensitivity characterization is based on the IPC/JEDEC joint industry standard: J-STD-020D-01.

| 湿气敏感等级 | 环境 | 车间寿命 |
|--------|--|-----------|
| 3 | 暴露于 $\leq 30^{\circ}\text{C}/60\% \text{RH}$ | 168小时车间寿命 |

回流焊推荐温度

- 1 預熱區：由室溫到 140°C ，升溫率 $1\sim 3^{\circ}\text{C}/\text{sec}$ 。
- 2 恆溫區： $140\sim 200^{\circ}\text{C}$ ，時間為 $60\sim 120$ 秒。
- 3 焊接區：溫度 $220\sim 220^{\circ}\text{C}$ ，時間 20 秒至 40 秒。
- 4 最高溫度 $250\sim 255^{\circ}\text{C}$
- 5 冷卻區：降溫率 $2\sim 4^{\circ}\text{C}/\text{sec}$ 。
- 6 允許最大焊接次數： 3 次

